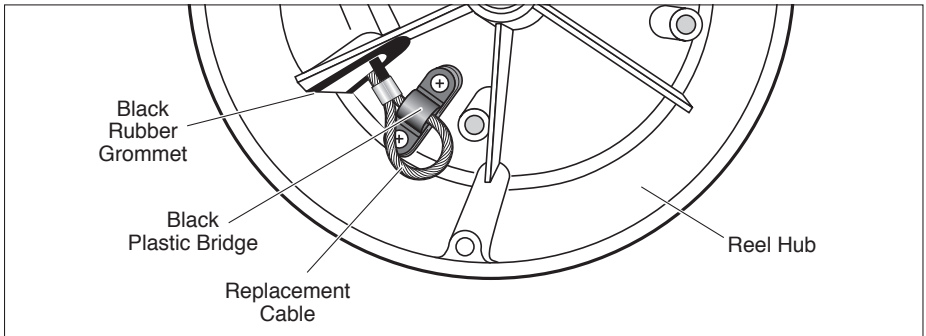


### Tools & Materials Needed

1. Model 103 Replacement Cable (comes with grommet and clip)
2. Phillips Screwdriver



*Model 103 Replacement Cable Connection*

### Tag Line Cable Replacement

1. Unwind the old cable from the reel and cut the cable near the grommet.
2. Unscrew the three screws from the faceplate, and remove the faceplate from the reel.
3. Undo the two screws from the black plastic bridge inside the reel hub and remove the remaining cable. Note how the plastic bridge holds the cable in the reel. Keep the plastic bridge, as you will reuse this and the screws to attach the replacement cable.
4. Remove the old grommet from the reel if required, and replace it using the new one supplied on the replacement cable.
5. Feed the new cable through the black rubber grommet and into the reel hub. Avoid tangling the cable. Feed about 1 ft (0.3 m) of cable through the grommet so as to provide enough slack to continue.
6. Place the black plastic bridge through the loop in the cable end. Re-install the two screws to secure the cable to the Reel Hub. See image above.
7. Replace the faceplate back on the reel, and re-fasten using the three screws.
8. Holding the replacement cable to remove any slack, wind the cable onto the reel.
9. Clip the weight from the old cable onto the new cable.

**Note:** If you are using the replacement cable as a safety support for a pump or sampler, remove the grommet, and connect a D-ring (or any suitable connector) to the loop on the end of the cable, and attach it securely to the eyelet on the underside of a well cap.

<sup>®</sup>Solinst is a registered trademark of Solinst Canada Ltd.